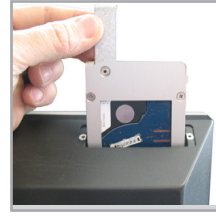




# VITUS 17SFCI

- Industrial Fanless Panel PC in metal cased
- Display LCD TFT 17" - LED backlight
- Tempered and anti-reflection Glass
- Resolution SXGA 1280 x 1024
- IP65 on front panel - Metal chassis
- CPU Intel® Core™ i5-5350U
- Internal industrial power supply
- Available with resistive touch screen
- Various Options & Accessories available:  
mounting solution, Wifi...



**HDD**  
Easy-Maintenance



**Heatsink**  
on rear panel



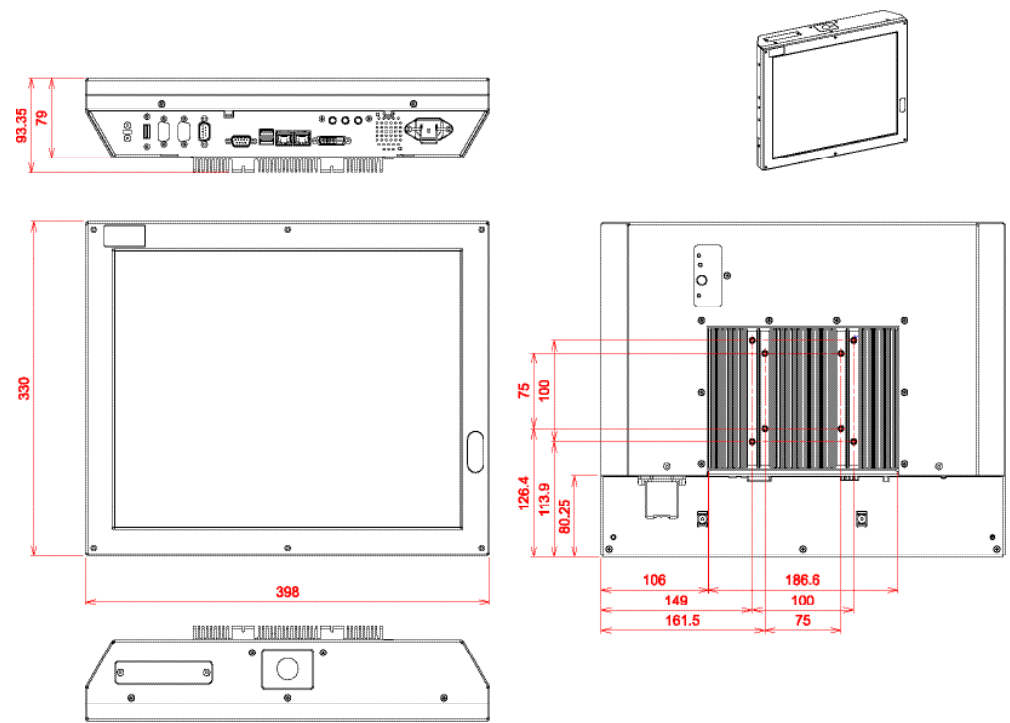
**Internal Wifi** with rugged antenna

## I/O ports

- |                    |              |
|--------------------|--------------|
| 1 - HDD LED        | 13 - COM 2   |
| 2 - Reset          | 14 - USB 3.0 |
| 3 - On/Off         | 15 - USB 3.0 |
| 4 - LED Power      | 16 - COM 1   |
| 5 - Power          | 17 - USB 2.0 |
| 6 - Keylock        |              |
| 7 - Micro          |              |
| 8 - Line in        |              |
| 9 - Line out       |              |
| 10 - DVI-I         |              |
| 11 - Ethernet 1G 2 |              |
| 12 - Ethernet 1G 1 |              |



## Mechanical Drawing



## Specifications

<b>Chassis</b>	Construction Chassis	Heavy duty metal 1.5 mm thick
	Colors	Black (RAL-7021) - Grey (RAL-9006)
	Without touch screen	Tempered and anti-reflection Glass
	Mounting	VESA 75/100 compatible IPO solution: base, wallmount, ceiling,...
<b>Display</b>	Protection	IP65 on front panel
	LCD Size	17" - LED Backlight
	Active area	338 x 270 mm
	Resolution	1280 x 1024 SXGA
	LCD Color	16.7millions
	Pixel Pitch	0.264 mm
	Brightness	350 cd/m2
	Contrast Ratio	1000 : 1
<b>Touch Screen</b>	Viewing Angle	H: 170° - V: 160°
	Technology	Resistive type (5-wire)
<b>CPU</b>	CPU	Intel® Core™ i5-5350U - 1.8GHz
	Chipset	Intel® 5th Generation Core™ i U-series
<b>Operating System</b>	RAM	2 x DDR3L SO-DIMM (max. 16Go)
		Windows 7 / 8.1 32/64-Bit - Linux on specification
<b>Drive Bay</b>	HDD / SSD / mSATA	1 x 2" 1/2 SATA - Easy-Maintenance
<b>I/O ports</b>		1 x USB 2.0 + 2 x USB 3.0 - 2 x RS-232
		2 x Gigabit Ethernet (RJ45) - 1 x DVI-I
		1 x Audio (Micro/line In/Line Out) - 1 x Keylock
<b>Audio</b>	Optional	RS-422/485 - RS-422/485 isolated
	Optional	2 x RS-232 in more
	Speaker	1 x 3W
<b>Button &amp; Indicator</b>	Rear panel	ATX On/Off switch button - Reset button
	Rear panel	Power Led - HDD activity Led
	On front	Brightness control keypad
<b>System Cooling</b>		Fanless - Heatsink on rear panel
<b>Dimensions</b>	Dimension WxHxD (mm)	398 x 330 x 93.35
	Weight (kg)	8.0
<b>Industrial Power Supply</b>	AC~	115/230VAC - 1/0.5A - 50/60Hz - Power consumption : 100W max.
	(DC=)	Input: 9-36 VDC - Power consumption: 110W max.
<b>Safety &amp; EMC</b>	Security	EN60950-1
	EMC	EN55022,EN61000-3-2,EN61000-3-3,EN55024,EN-61000-4-2,EN-61000-4-3, EN-61000-4-4, EN-61000-4-5, EN-61000-4-6, EN-61000-4-8, EN-61000-4-11
<b>Environment</b>	Operating Temperature	0° ~ + 45°C
	Storage Temperature	- 20 .... + 60°C
	Relative Humidity	5 ..... 95 %
<b>Warranty</b>	2 years Parts & Labour return to base as standard	
<b>Options &amp; Accessories</b>	RT (in end of items serie)	Resistive touch screen
	OPT/ETHRAABGN/VISCI	Internal Wifi Solution 802.11 a/b/g/n - Rugged antenna
	OPT/CP/VITUS17S	I/O trap protection
	OPT/DC	Industrial power supply (DC=) 9-36 VDC
	OPT/PIED17S	Stand mount support
	OPT/ARCEAU17S	Wall/Ceiling mounting solution



Stand mount support



Wall/Ceiling mount support



Keyboard support



Resistive touch screen

## Ordering Information

<b>VITUS 17SFCI/*</b>	Industrial Fanless Panel PC in metal cased - LCD TFT 17" LED - CPU Intel® Core™ i5-5350U - Choose power supply
<b>VITUS 17SFCIRT/*</b>	Industrial Fanless Panel PC in metal cased - LCD TFT 17" LED - CPU Intel® Core™ i5-5350U - Touch screen - Choose power supply

\* Choose your power supply type: AC / DC

Please ask for additional information about **Options & Accessories**.

## Packing list

- 1 Power cord CE22 1.80 m (AC~ version)
- 1 Utility CD includes: User's manual
- 1 Utility CD includes: Drivers
- 1 Software Licence (label format)
- 1 Production&Traceability datasheet